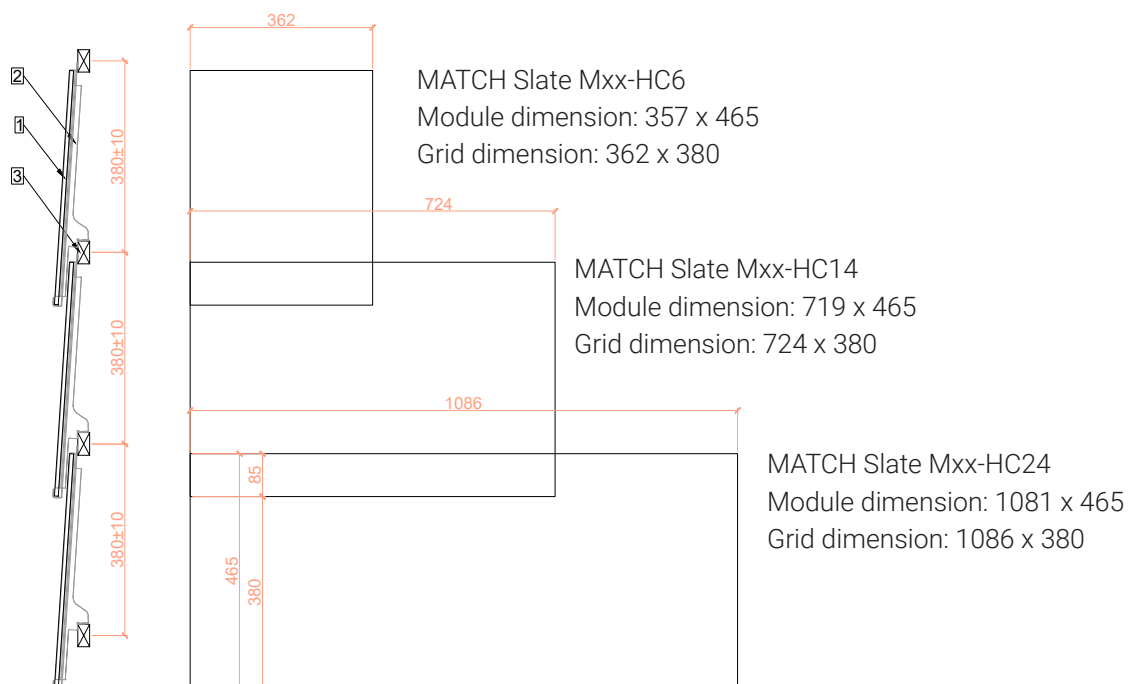


Grid dimensions

| A4 | 1:10 | V24.01 |

- 1 MATCH Slate module
- 2 MATCH Slate hook
- 3 Roof battens (24 x 48, 30 x 50, ...)



The grid dimension of the MATCH Slate modules is 380 mm in height, it can be adjusted by ± 10 mm.
The grid dimension in width can be extended up to 10 mm.

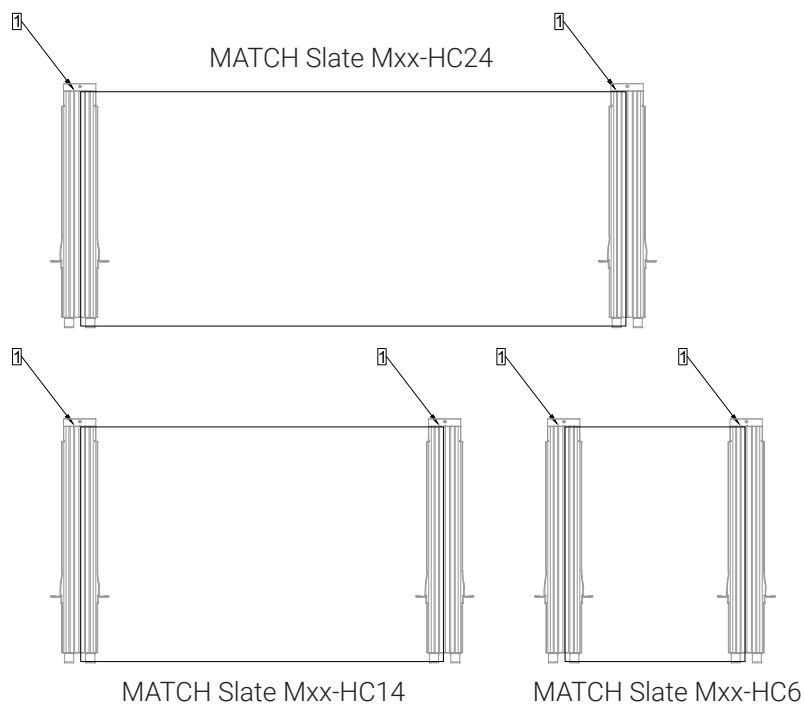
Layout for normal requirements

| A4 | 1:20 | V24.01 |

Area load suction < 2.4 kN/m² | Area load pressure < 2.4 kN/m²

These figures (kN/m²) are load limits without material safety factors.

- 1 MATCH Slate hook z (between the modules)
- 2 MATCH Slate hook u (under the module)
- 3 MATCH Slate hook SET Ort L (two-piece, hook & stopper)
- 4 MATCH Slate hook SET Ort R (two-piece, hook & stopper)



Layout for increased requirements

Area load suction 2.4 - 3.5 kN/m² | Area load pressure 2.4 - 8 kN/m²

These figures (kN/m²) are load limits without material safety factors.

MATCH Slate Mxx-HC24: additional 1 MATCH Slate hook u

MATCH Slate Mxx-HC14: additional 1 MATCH Slate hook u

MATCH Slate Mxx-HC6: no additional hooks

More extreme requirements can be designed on a project-specific basis.

It is also recommended to install additional "MATCH Slate hooks" in valley and edge areas.

Modules that are not sufficiently secured with a MATCH Slate hook above must be secured against wind suction by the customer.

Normal layout with MATCH Slate Mxx-HC24

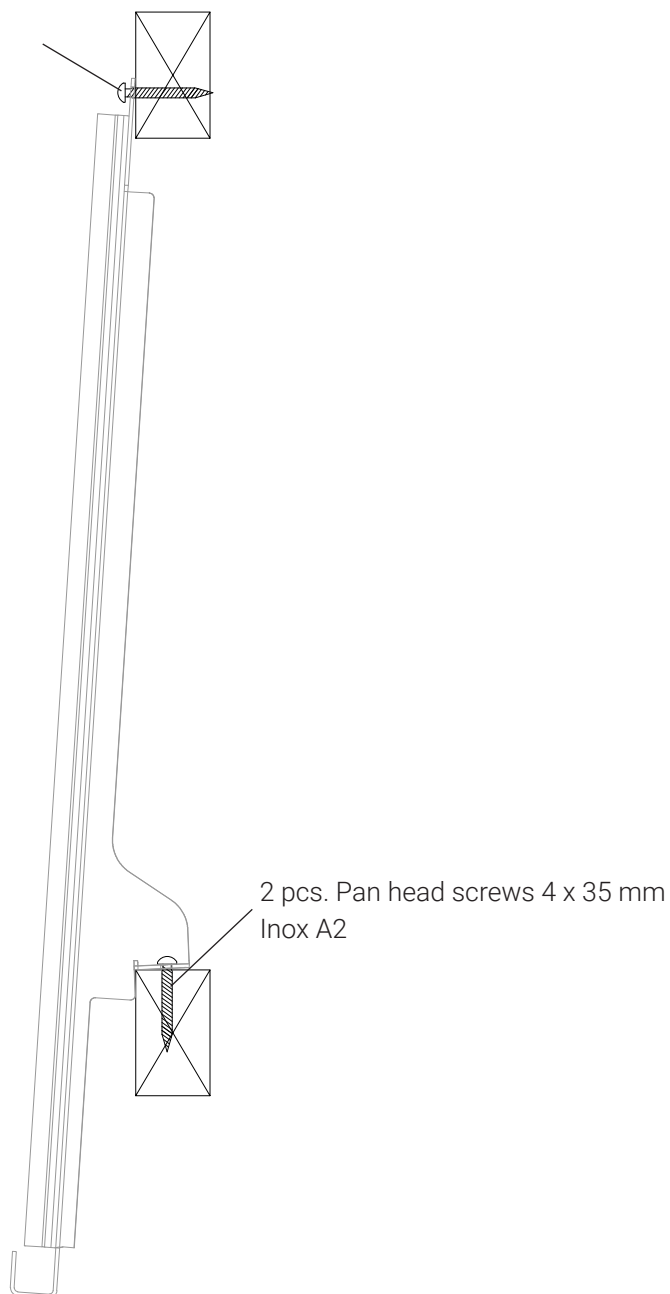
Offset layout with MATCH Slate Mxx-HC24 & MATCH Slate Mxx-HC14

Offset layout with MATCH Slate Mxx-HC24 & MATCH Slate Mxx-HC6

Offset layout with MATCH Slate Mxx-HC24, MATCH Slate Mxx-HC14 & MATCH Slate Mxx-HC6

Offset layout with MATCH Slate Mxx-HC14 & MATCH Slate Mxx-H6

Pan head screws 4 x 35 mm
Inox A2 (additional screw)



The MATCH hooks are screwed to the roof battens with 2 screws each. The screw at the top can be attached additionally, it is recommended especially in the top rows and in the edge areas. We recommend screwing the roof battens as well as the counterbattens. The static of the entire roof structure is the responsibility of the contractor.

Subroof

6° bis 13° Subroof for extraordinary exposure

14° bis 25° Subroof for increased exposure

ab 25° Subroof for normal exposure

It is recommended to always drain the subroof into the gutter.

Further notes and recommendations on the subject of subroofs can be found and observed in document **Vxx.xx Requirements for Megasol in-roof systems subroof**.

Rear ventilation

The rear ventilation requirements are basically the same as those of the conventional tile, corresponding to at least 20 mm counterbattens.

If the roof is rebuilt and rear ventilation can be optimized, the following dimensions are recommended:

- Rafter length up to 8 m: 40 mm counterbattens
- Rafter length 8 to 12 m: 60 mm counterbattens
- Rafter length from 12 m: 80 mm counterbattens

The information on rear ventilation refers to the optimum module performance and not to the static of the roof structure. The static must be checked separately in each case.

Roof battens

Counterbattens Distance in mm	char. Area load in kN/m ²				
	< 1.5	1.5 - 2.4	2.4 - 3.5	3.5 - 5.0	5.0 - 8.0
500	24x48	24x48	24x48	30x50	30x60
600	24x48	24x48	30x50	30x60	40x60
700	24x48	30x50	30x60	40x60	40x60
800	30x50	30x60	40x60	40x60	---
1000	30x60	40x60	40x60	---	---

More extreme requirements can be designed on a project-specific basis or by matching the counterbattens to the grid of the MATCH Slate hooks.

e.g.: MATCH Slate Mxx-HC24

Grid dimension: 1086mm x 380mm

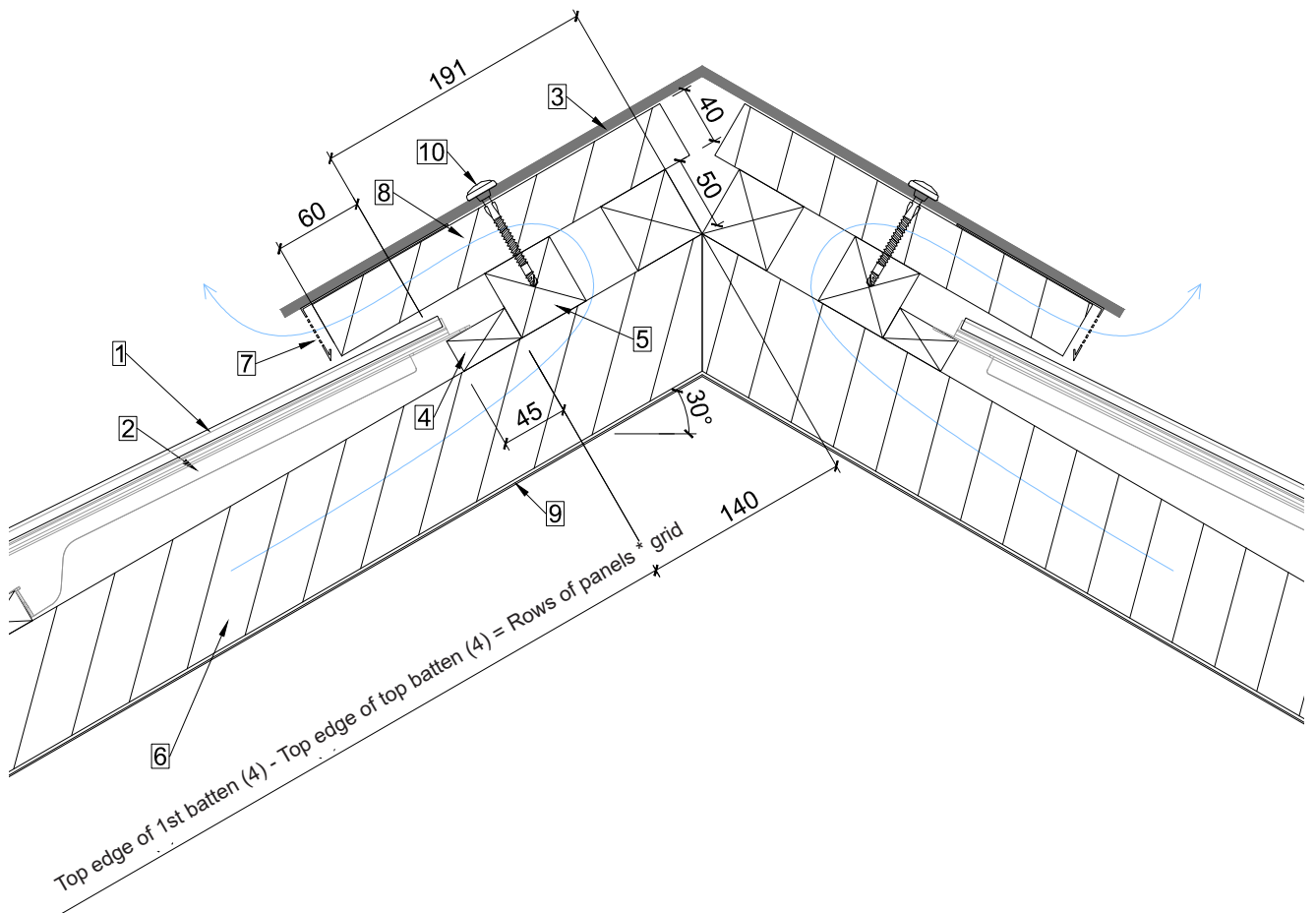
Counterbattens: 1086mm : 2 (corresponds to 1 hook u per module) = 543mm

Goal: hook is as directly above the counterbattens as possible.

Ridge finish with venting slats

| A4 | 1:5 | V24.01 |

- 1 MATCH Slate module
- 2 MATCH Slate hook
- 3 aluminum composite plate
- 4 Roof battens
- 5 Horizontal battens
- 6 Counterbattens
- 7 Ventilation plate
- 8 Vertical battens
- 9 Subroof
- 10 Screw with sealing ring

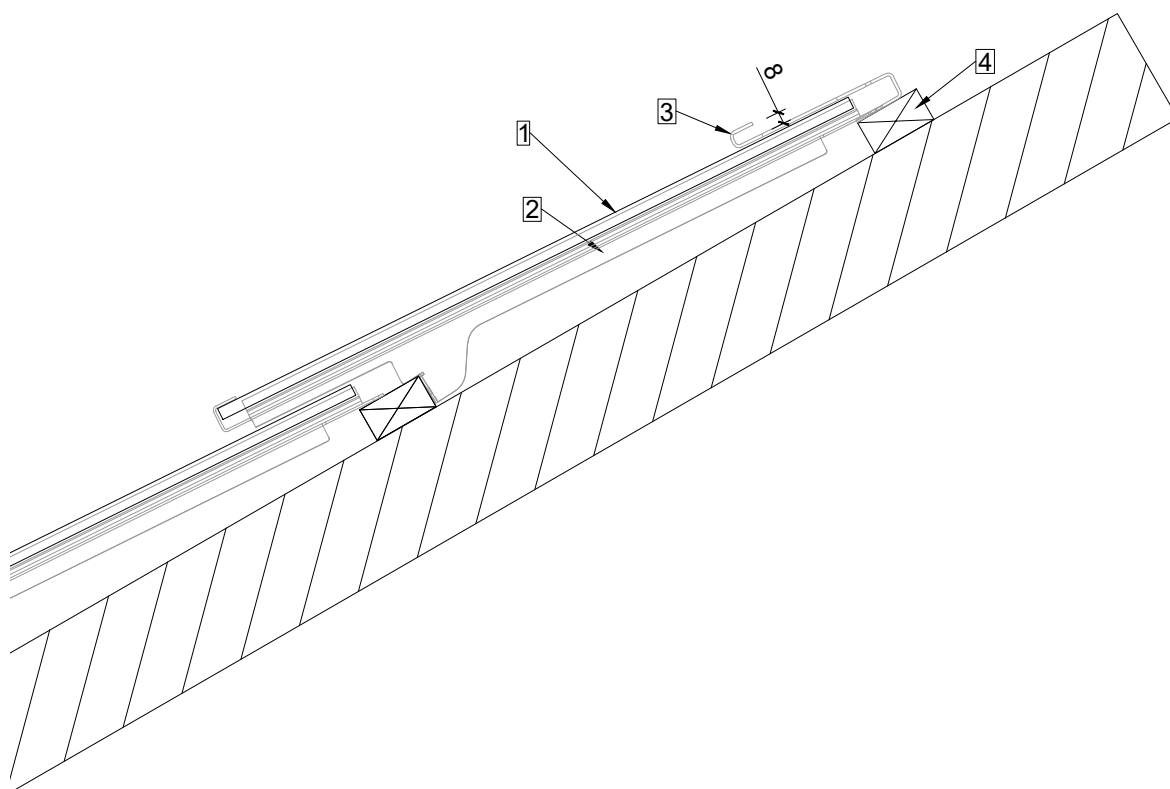


The installation situations shown serve as a suggested solution and orientation. The correct planning and execution must be adapted to the local conditions and situations and is the responsibility of the contractor.

MATCH Slate ridge hook

| A4 | 1:5 | V24.01 |

- 1 MATCH Slate module
- 2 MATCH Slate hook
- 3 MATCH Slate ridge hooks
- 4 Roof battens

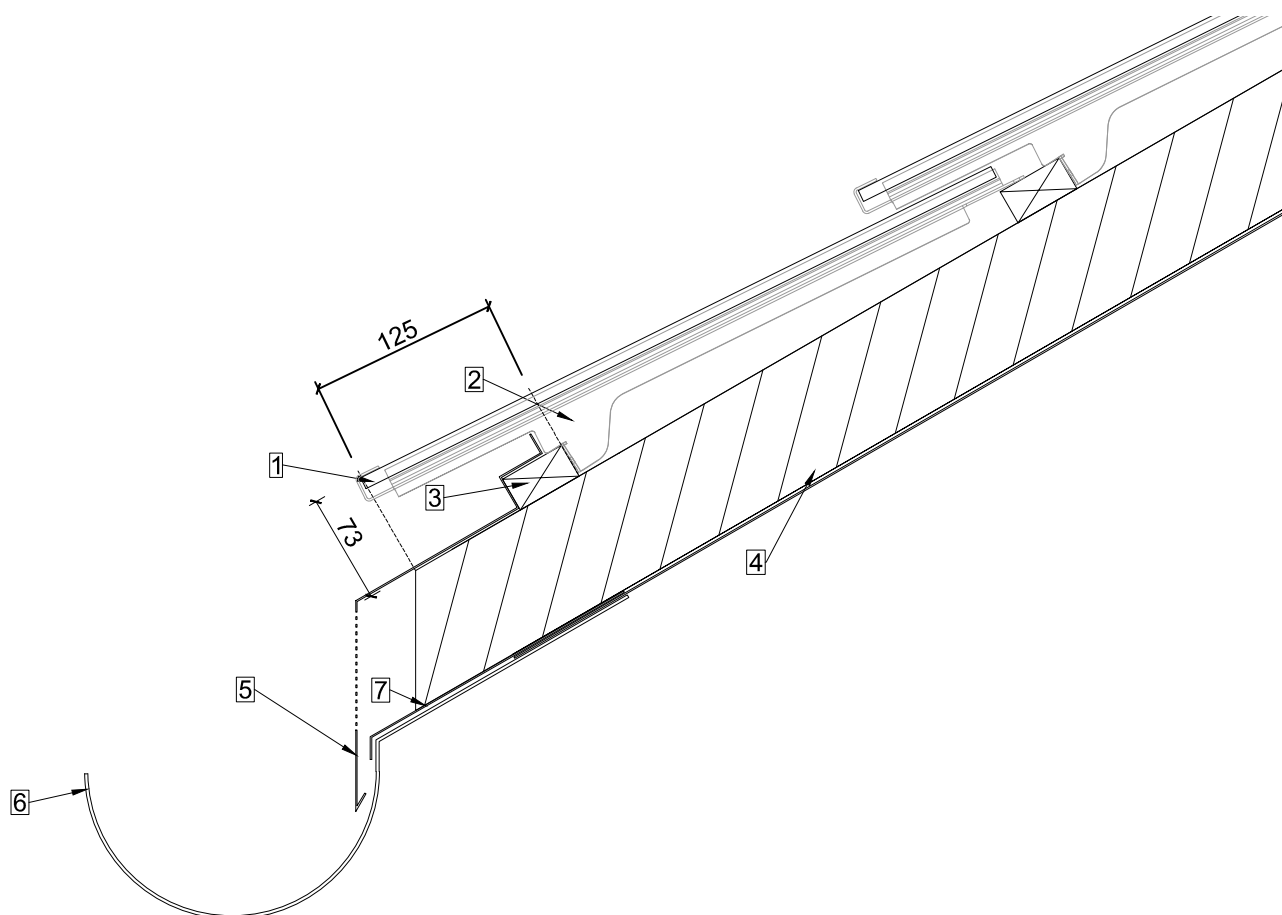


Modules that are not sufficiently secured with a MATCH Slate hook above them can be secured against wind suction with the MATCH Slate ridge hook.

Eaves finish

| A4 | 1:5 | V24.01 |

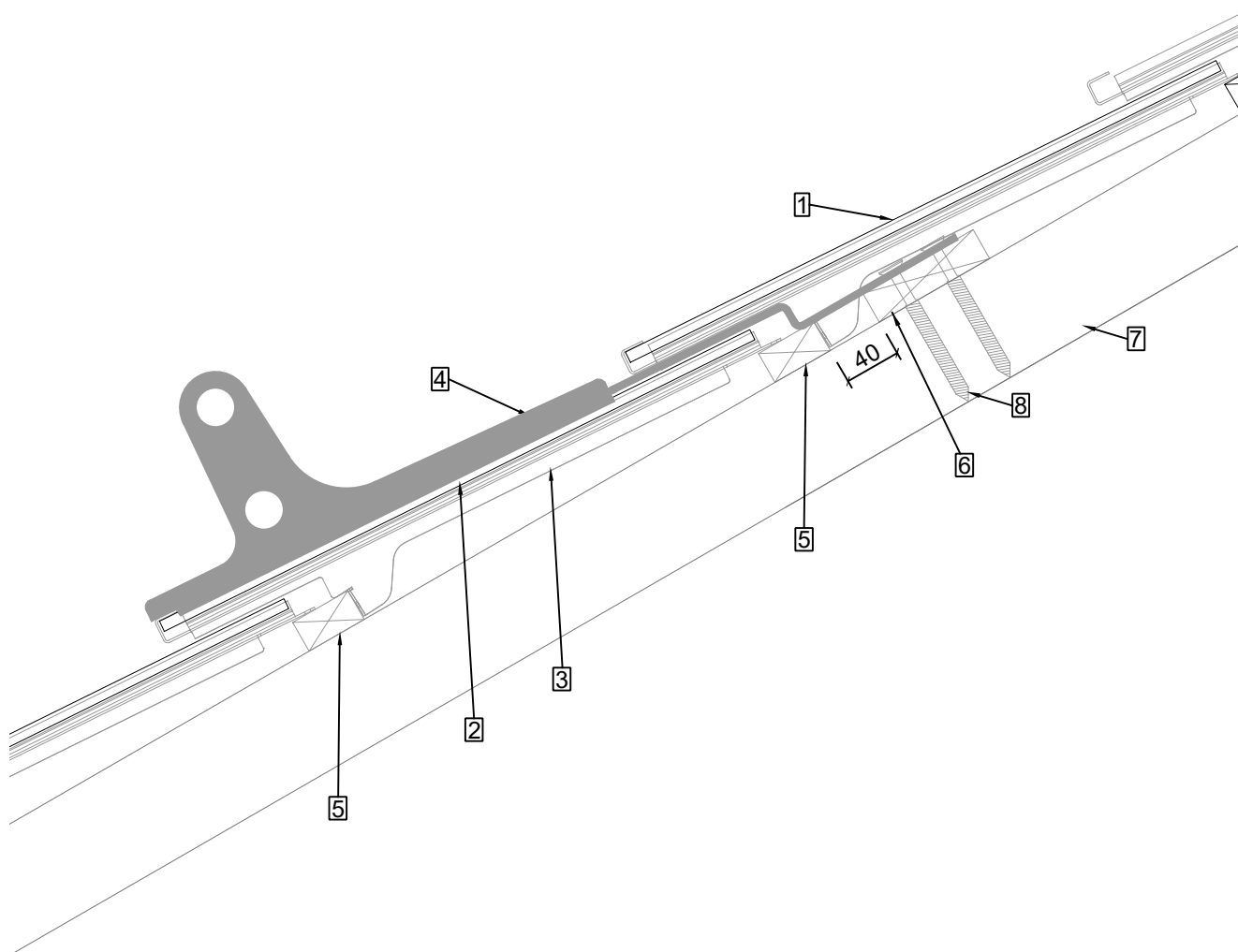
- 1 MATCH Slate module
- 2 MATCH Slate hook
- 3 Roof battens (24 x 48, 30 x 50, ...)
- 4 Counterbattens
- 5 Eave sheet / Ventilation plate
- 6 Gutter
- 7 Subroof drained into gutter



The installation situations shown serve as a suggested solution and orientation. The correct planning and execution must be adapted to the local conditions and situations and is the responsibility of the contractor.

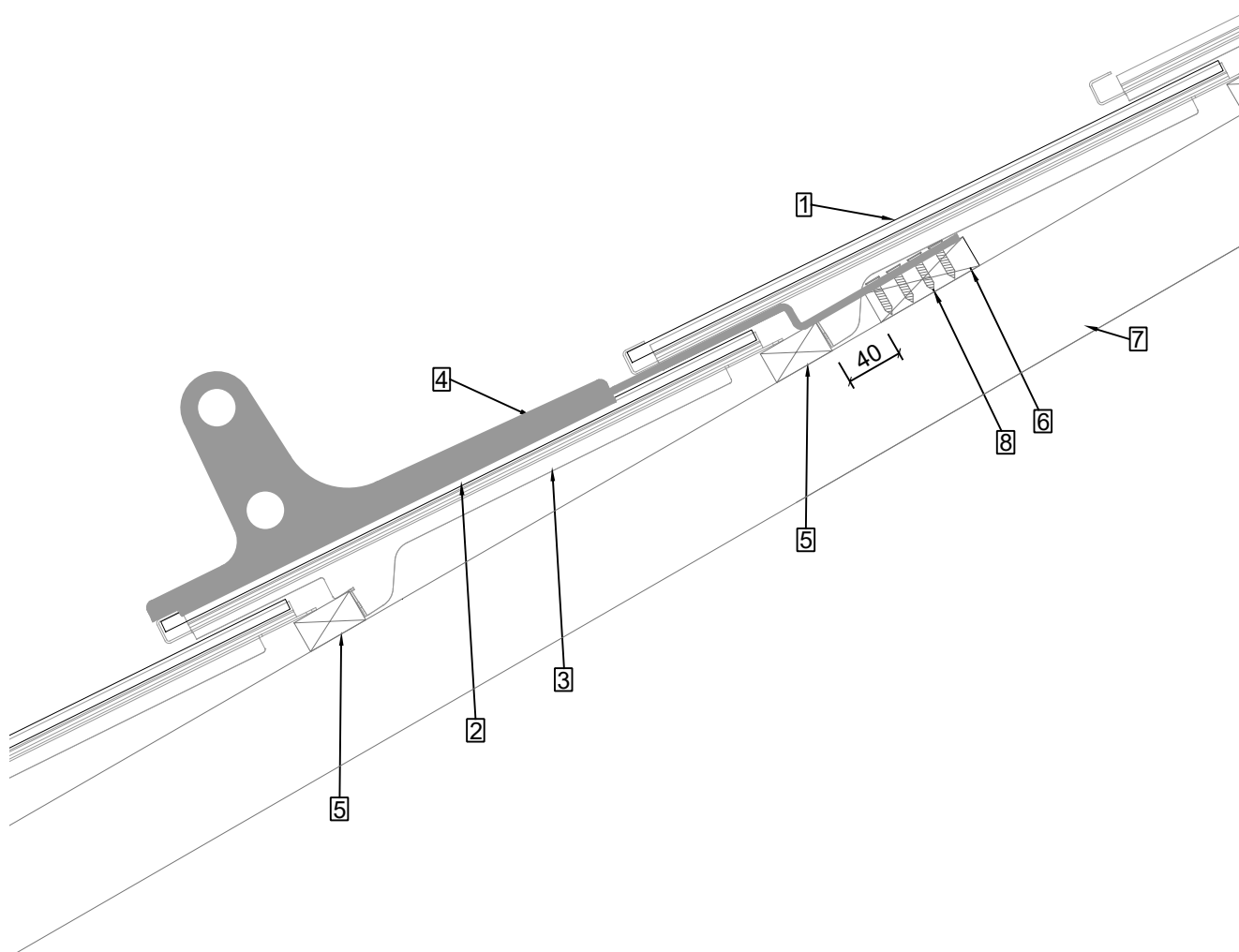
Fastening with screws in counterbattens

- 1 MATCH Slate module
- 2 MATCH Slate Blind module/aluminum composite plate
- 3 MATCH Slate hook
- 4 Snow guard MATCH Slate UBM 2-hole
- 5 Roof battens
- 6 Board as support for snow guard
- 7 Counterbattens
- 8 Screw in counterbattens



Fastening with screw connection in support board

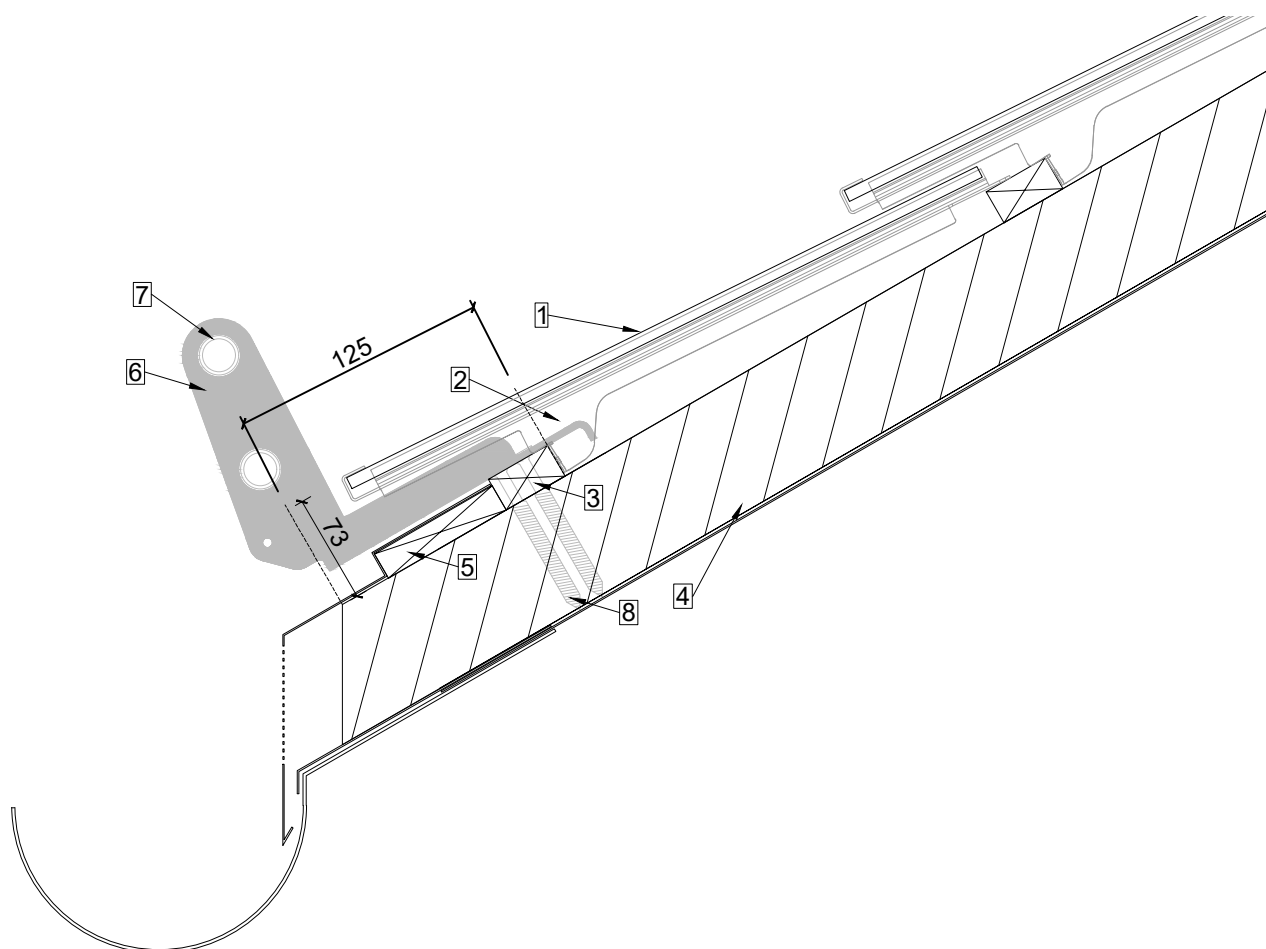
- 1 MATCH Slate module
- 2 MATCH Slate Blind module/aluminum composite plate
- 3 MATCH Slate hook
- 4 Snow guard MATCH Slate UBM 2-hole
- 5 Roof battens
- 6 Board as support for snow guard
- 7 Counterbattens
- 8 Screw in counterbattens



SEP MAX snow guard eave

| A4 | 1:5 | V24.01 |

- 1 MATCH Slate module
- 2 MATCH Slate hook
- 3 Roof battens
- 4 Counterbattens
- 5 Eave board
- 6 LEVEL / MATCH Slate Snow guard SEP
- 7 Snow guard pipe
- 8 Screw in counterbattens

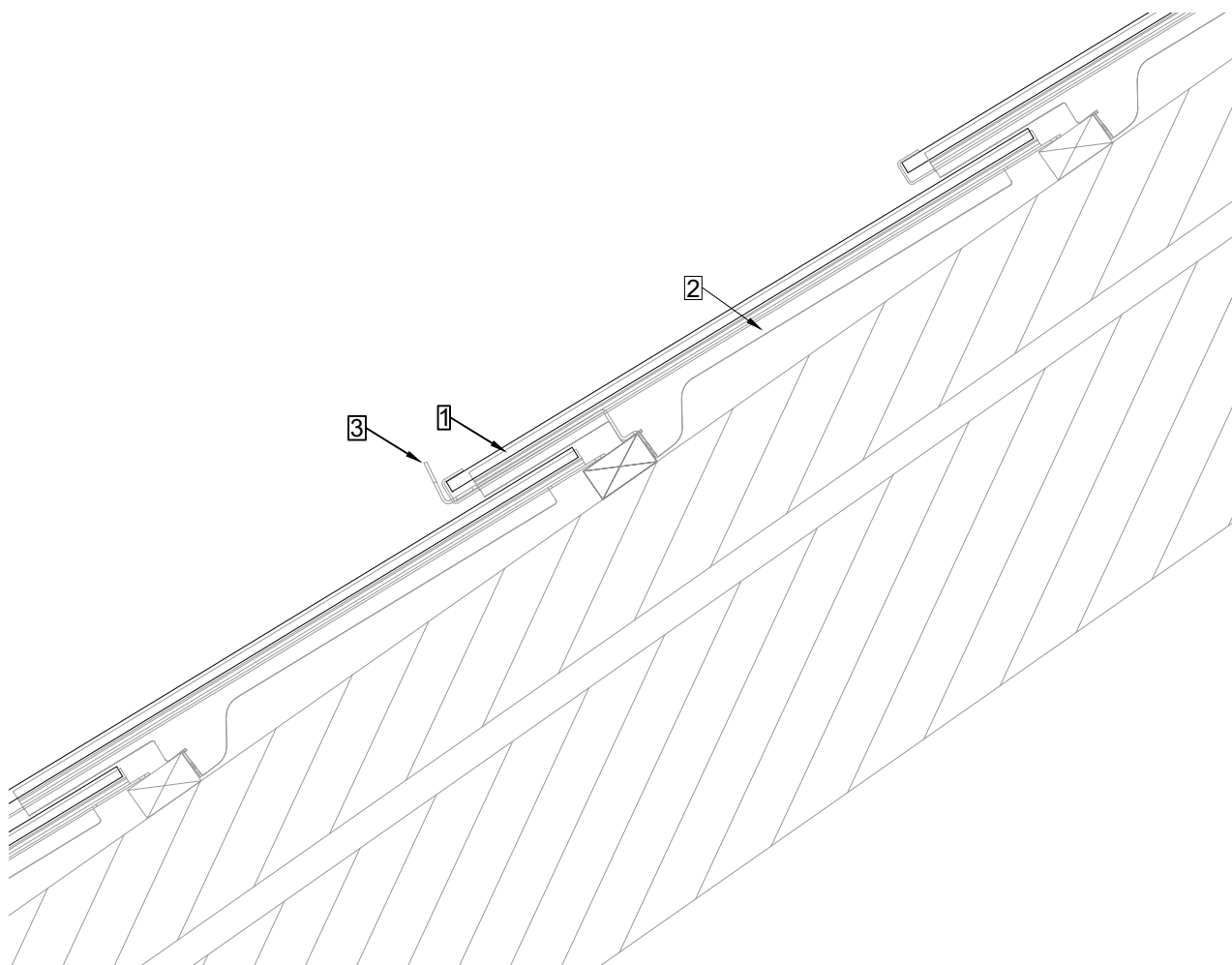


The installation situations shown serve as a suggested solution and orientation. The correct planning and execution must be adapted to the local conditions and situations and is the responsibility of the contractor.

Snow stopper

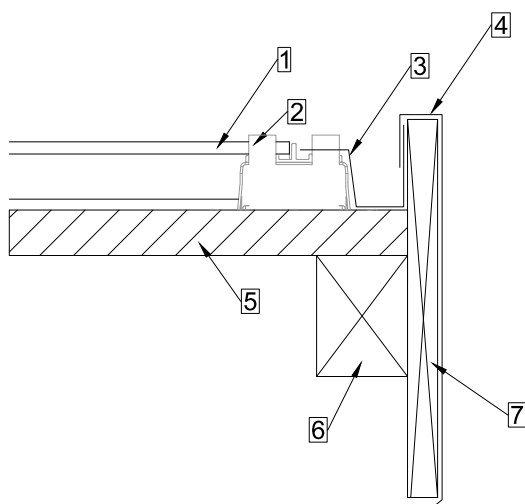
| A4 | 1:5 | V24.01 |

- 1 MATCH Slate module
- 2 MATCH Slate hook z / u
- 3 MATCH Slate Snow stopper



The MATCH Slate snow stopper is mounted over a MATCH Slate hook z / u in each case.

- 1 MATCH Slate module
- 2 MATCH Slate hook z
- 3 Ring plate overlapping
- 4 Covering plate
- 5 Roof battens
- 6 Counterbattens
- 7 verge plate

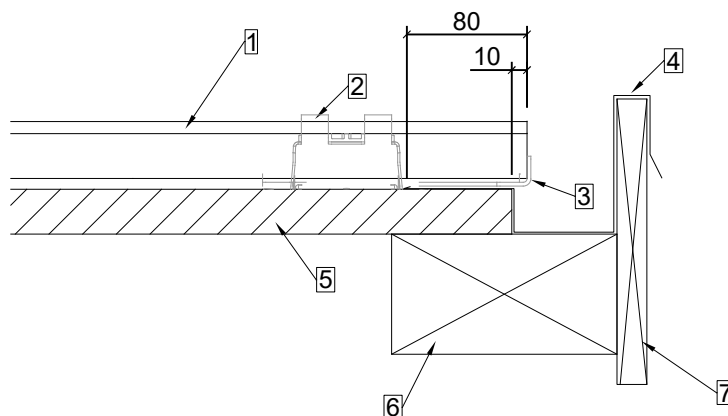


The installation situations shown serve as a suggested solution and orientation. The correct planning and execution must be adapted to the local conditions and situations and is the responsibility of the contractor.

Verge with gutter and hook u

| A4 | 1:5 | V24.01 |

- 1 MATCH Slate module
- 2 MATCH Slate hook u
- 3 MATCH Slate stopper right
- 4 Tinplate
- 5 Roof battens
- 6 Counterbattens
- 7 Verge plate with sheet metal cover



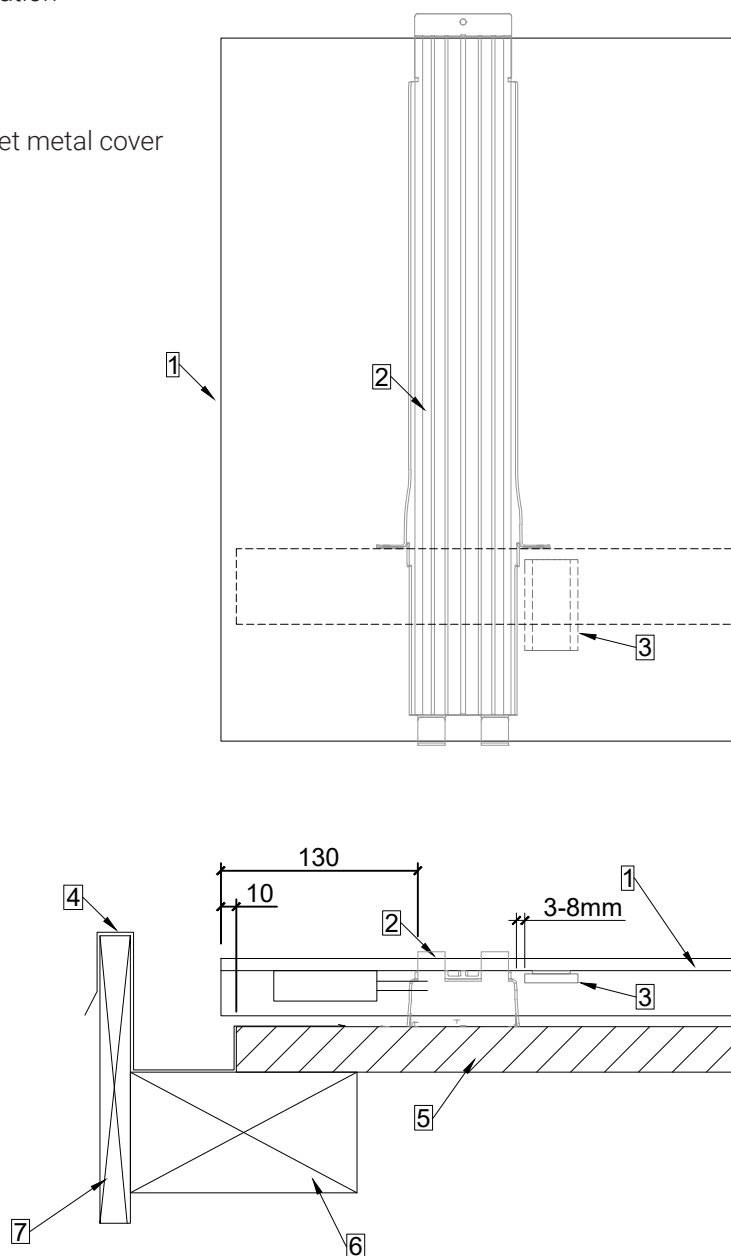
Attention: With this finish variant, special attention must be paid to the can position.

The installation situations shown serve as a suggested solution and orientation. The correct planning and execution must be adapted to the local conditions and situations and is the responsibility of the contractor.

Verge with gutter and adhesive fixation

| A4 | 1:5 | V24.01 |

- 1 MATCH Slate module
- 2 MATCH Slate hook u
- 3 MATCH Adhesive fixation
- 4 Tinplate
- 5 Roof battens
- 6 Counterbattens
- 7 Verge plate with sheet metal cover



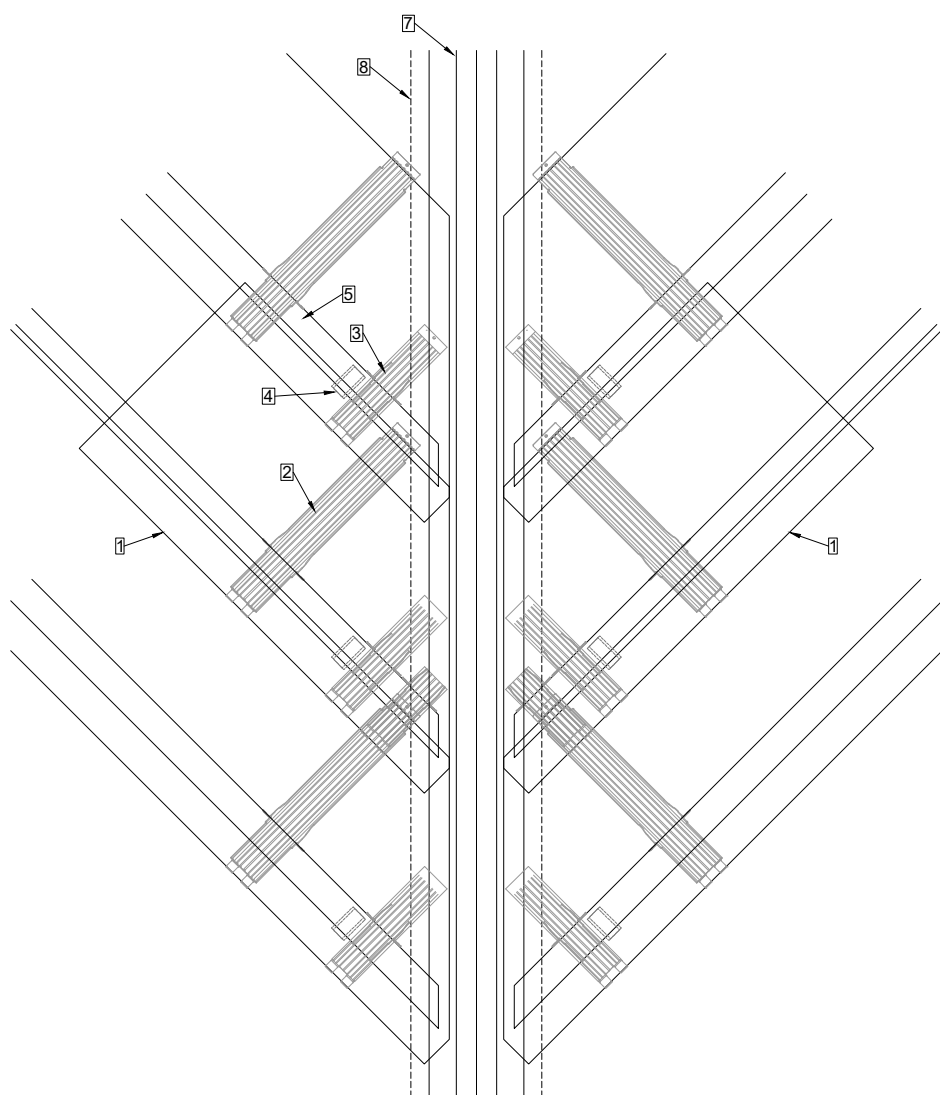
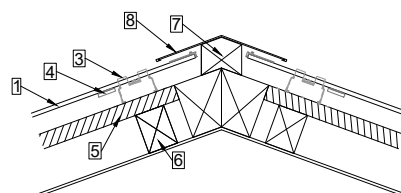
The MATCH adhesive fixation is applied during module assembly.
Adhesive surface must be cleaned beforehand.

The installation situations shown serve as a suggested solution and orientation. The correct planning and execution must be adapted to the local conditions and situations and is the responsibility of the contractor.

Hip with hip bar and adhesive fixation

| A4 | 1:15 | V24.01 |

- 1 MATCH Slate module
- 2 MATCH Slate hook u
- 3 MATCH Slate hook short for rail + rail
- 4 MATCH Adhesive fixation
- 5 Roof battens
- 6 Counterbattens
- 7 ridge bar
- 8 Sheet metal tinsmith or alu. composite plate
- 9 EPDM protection rubber (only on demand)



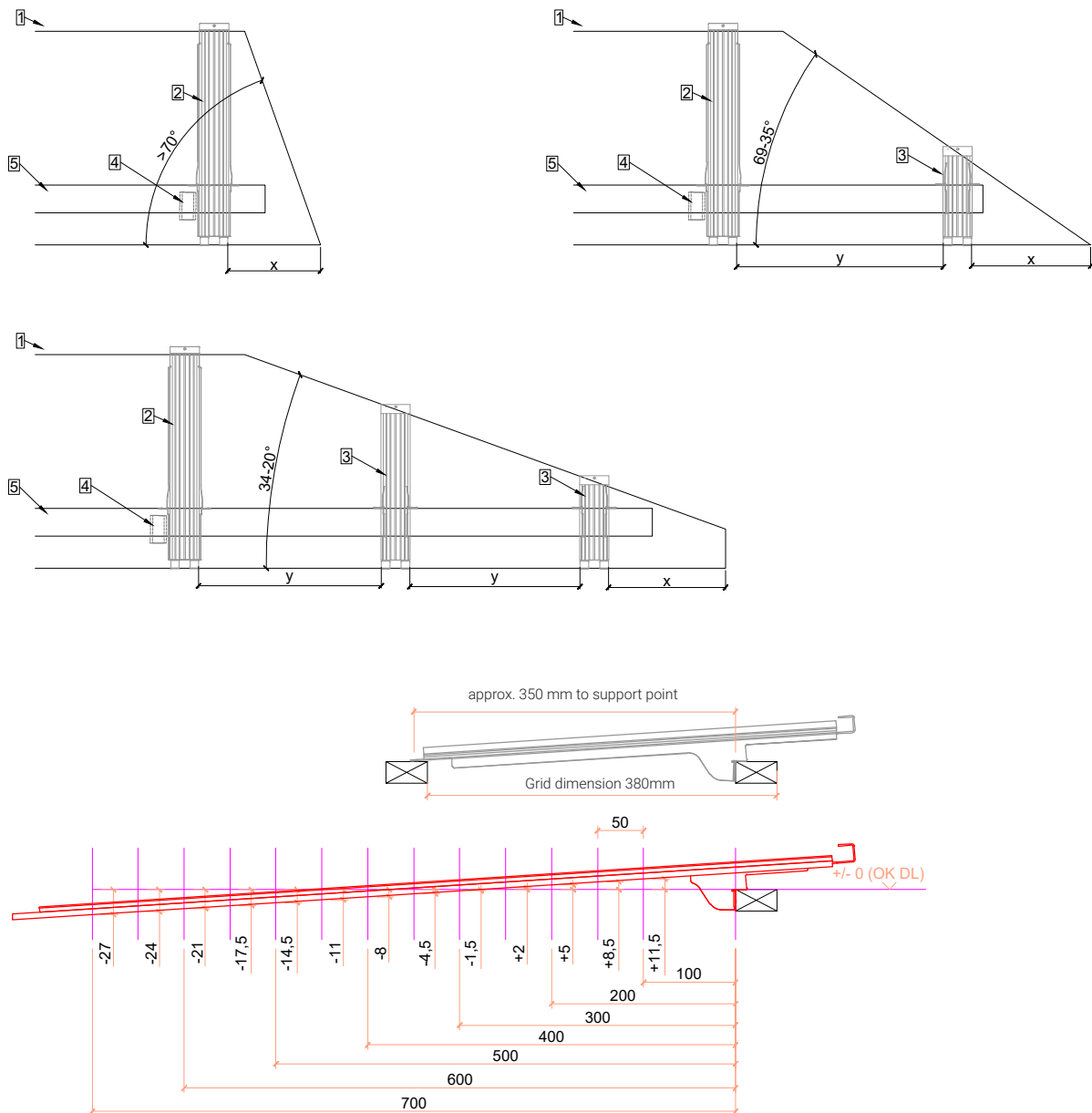
The MATCH adhesive fixation is applied during module assembly. The adhesive surface must be cleaned beforehand.

The installation situations shown serve as a suggested solution and orientation. The correct planning and execution must be adapted to the local conditions and situations and is the responsibility of the contractor..

Layout hip modules

| A4 | 1:15 | V24.01 |

- 1 MATCH Slate module
- 2 MATCH Slate hook u
- 3 MATCH Slate hook short for rail + rail
- 4 MATCH Adhesive fixation
- 5 Roof battens



The layout of the match slate hooks must be adapted to the module angle.

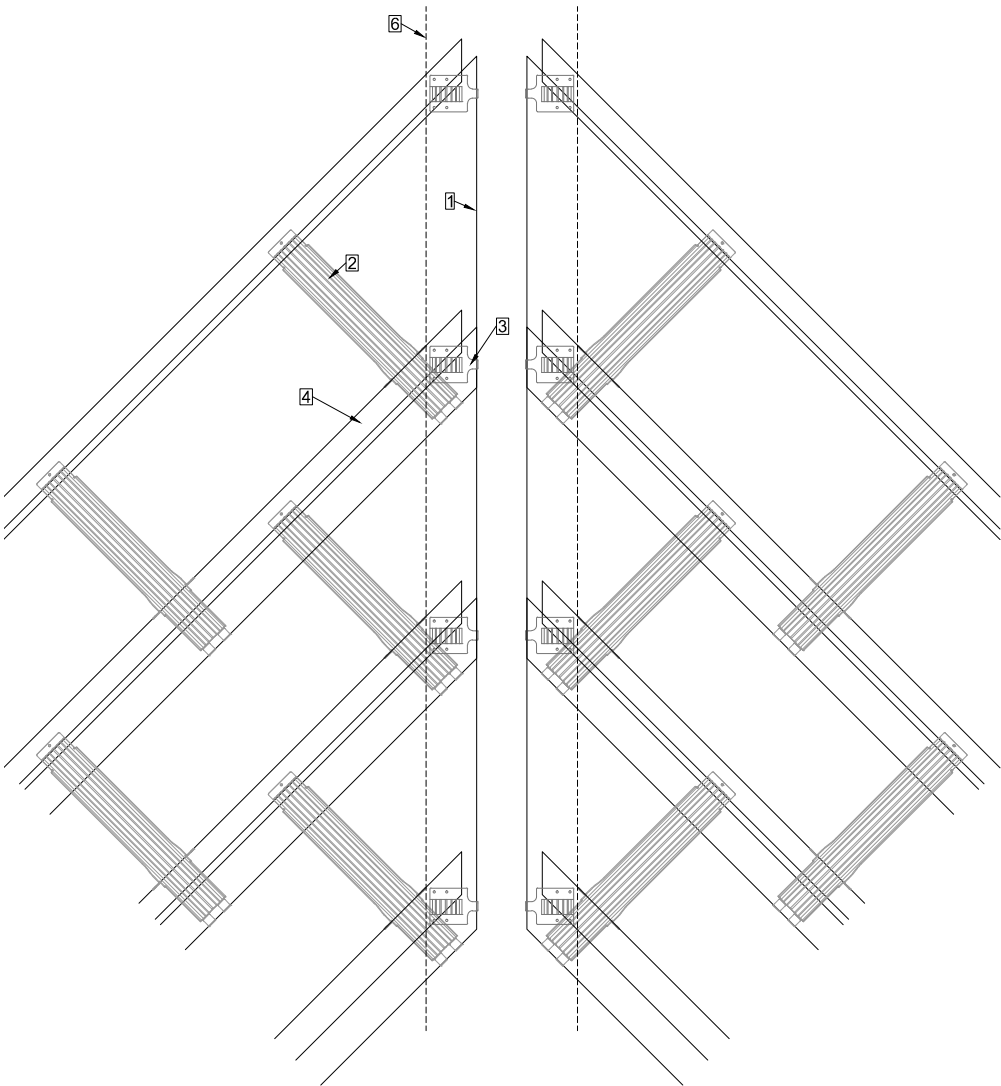
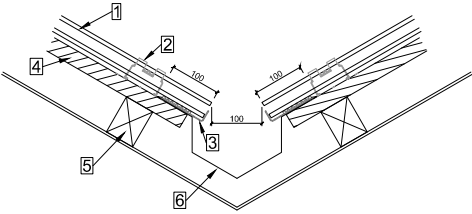
Maximum permitted area load (pressure) is 2.4 kN/m² with a module projection of the tip (X) of 300mm, whereby 100mm are covered by the ridge plate. Higher loads can be approved on a project-specific basis.

When installing the MATCH Slate hook short for rail + rail, the rail must be cut to length in each case. The support height of the rail end (top) must be adjusted individually and a support possibility must be considered in the roof structure (roof battens, hip bar or additional battens).

Valley with gutter

| A4 | 1:15 | V24.01 |

- 1 MATCH Slate module
- 2 MATCH Slate hook u
- 3 MATCH support with stopper
- 4 Roof battens
- 5 Counterbattens
- 6 Flashing

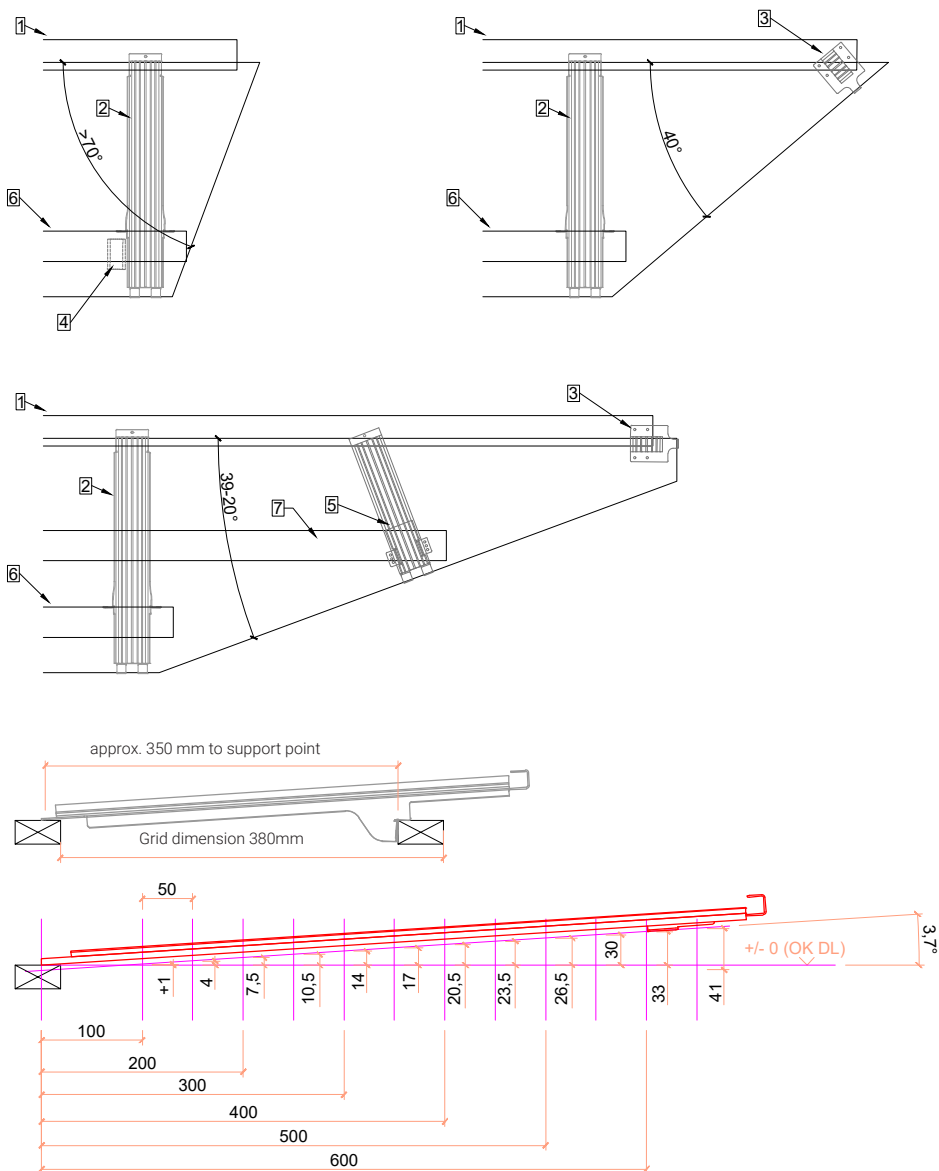


The installation situations shown serve as a suggested solution and orientation. The correct planning and execution must be adapted to the local conditions and situations and is the responsibility of the contractor.

Layout fillet modules

| A4 | 1:15 | V24.01 |

- 1 MATCH Slate module
- 2 MATCH Slate hook u
- 3 MATCH Support with stopper
- 4 MATCH Adhesive fixation
- 5 MATCH Slate hook flat for rail + rail
- 6 Roof battens
- 7 Additional battens



The layout of the match slate hooks must be adapted to the module angle.

Maximum permitted area load (pressure) is 2.4 kN/m². Higher loads can be approved on a project-specific basis.

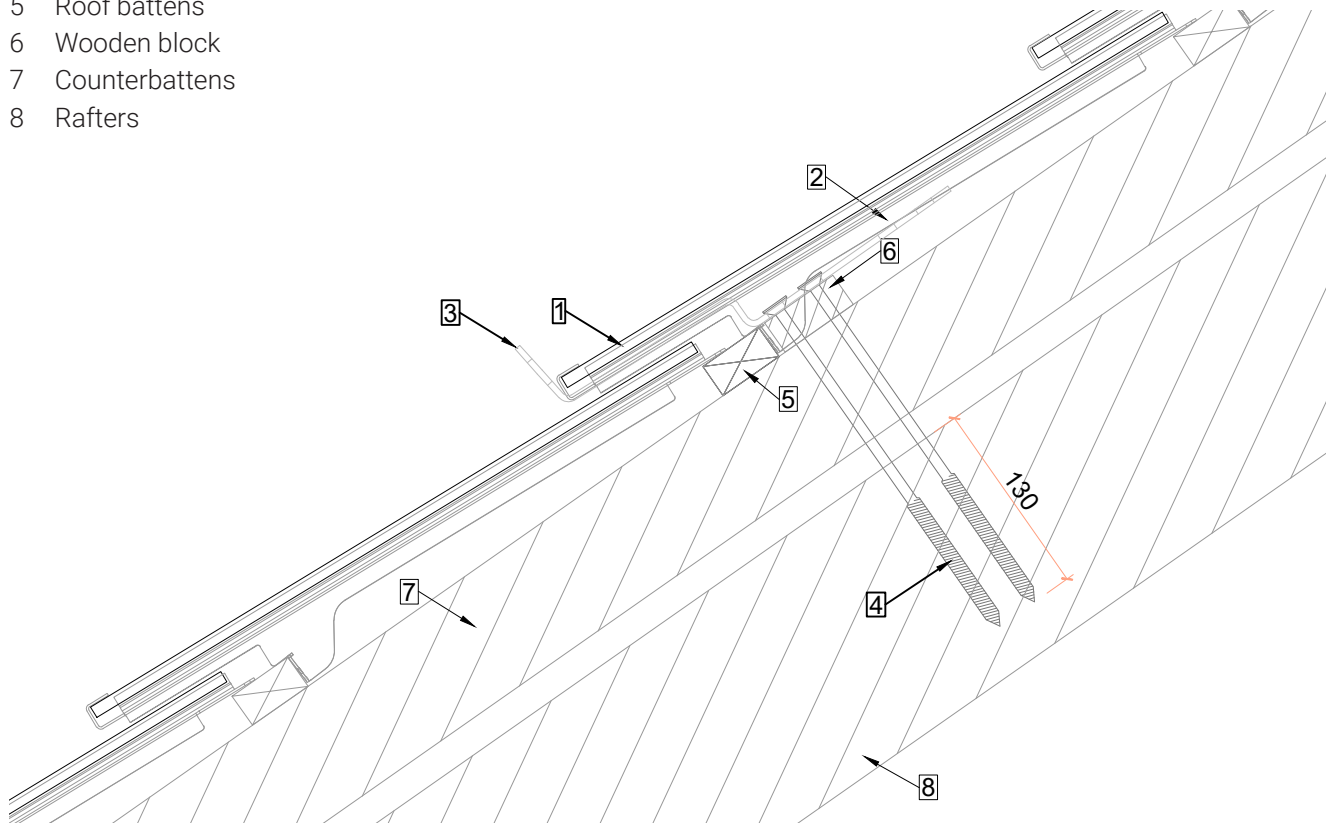
When installing the MATCH Slate hook flat for rail + rail, the rail must be cut to length in each case. The support height of the MATCH Slate hook flat for rail (bottom) must be adjusted individually and a support possibility must be taken into account in the roof structure (roof battens, collar beams or additional battens).

LEVEL & MATCH Slate safety hooks

| A4 | 1:5 | V24.01 |

Certified according to EN 795A:2012 type A and CEN/TS 16415:2013 for max. 2 persons.

- 1 MATCH Slate module
- 2 MATCH Slate hook
- 3 LEVEL & MATCH Slate safety hooks
- 4 Screw according to assembly instruction
- 5 Roof battens
- 6 Wooden block
- 7 Counterbattens
- 8 Rafters



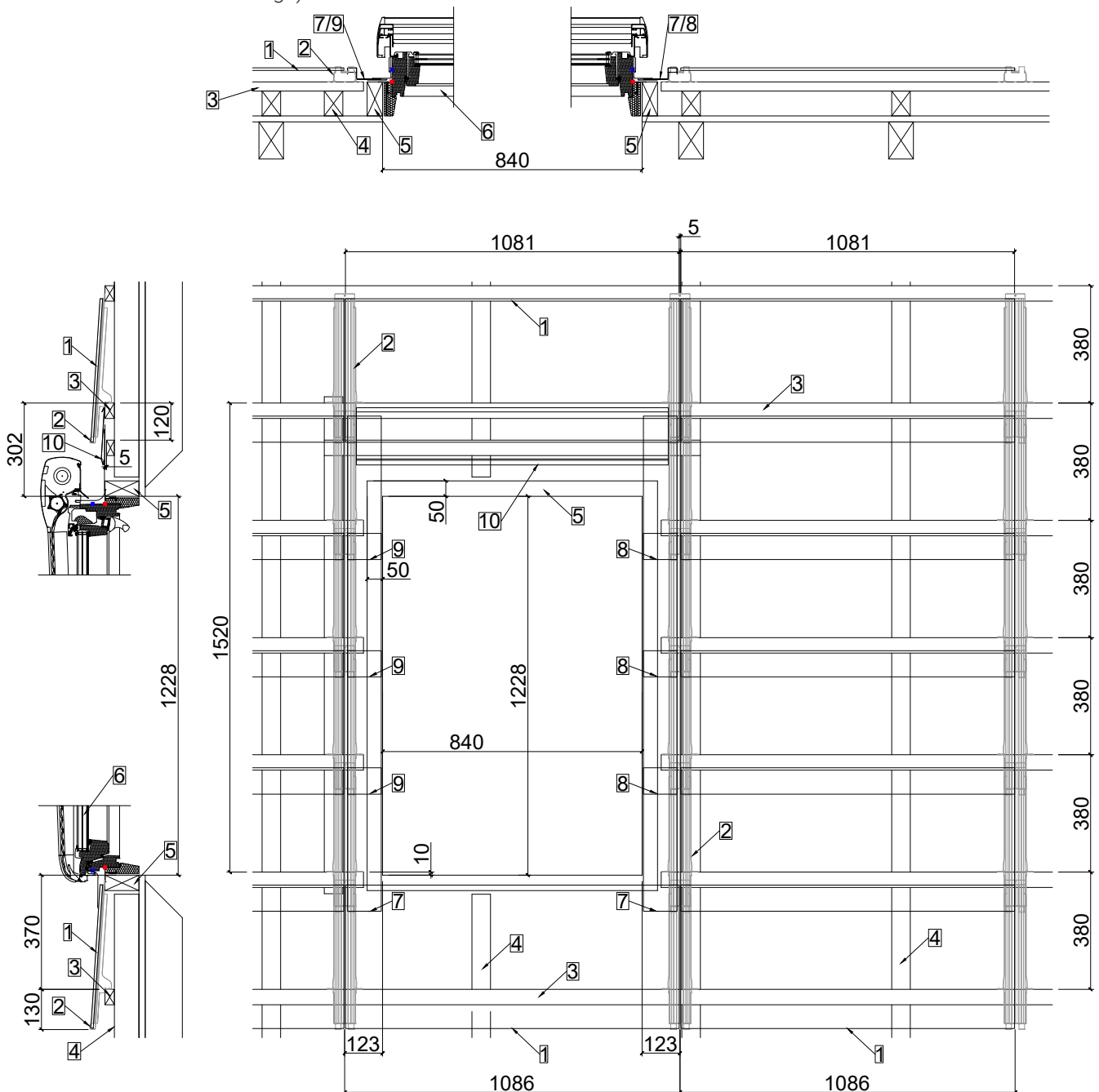
	<p>The separate and supplied assembly and instruction documents must be studied before assembly and must be followed exactly. The instructions must be read and understood by the users. The manufacturer's instructions must be strictly observed. Non-observance may result in personal injury.</p> <p>This sheet is not an assembly instruction!</p>
--	---

- It is mandatory to follow the official LEVEL & MATCH Slate safety hook notes and assembly instructions.
- It is recommended to place the safety hook in the ridge row.
- Safety hooks in the module field: Insert the module before mounting the next hooks above.
- The layout must be carried out by qualified personnel in accordance with the applicable local regulations.

MATCH Slate with VELUX MK06 roof window

| A4 | 1:20 | V24.01 |

- | | |
|---|---|
| 1 MATCH Slate module | 6 VELUX roof window MK06 |
| 2 MATCH Slate hook z | 7 Transition plate bottom L & R for MK06-SK06-MK10-SK10 |
| 3 Roof battens | 8 Transition plate R for MK06-SK06-MK10-SK10 |
| 4 Counterbattens | 9 Transition plate L for MK06-SK06-MK10-SK10 |
| 5 Subframe for VELUX roof windows
(upper side conical / sloping design
for better water drainage) | 10 Transition plate top for MK06-SK06-MK10-SK10 |

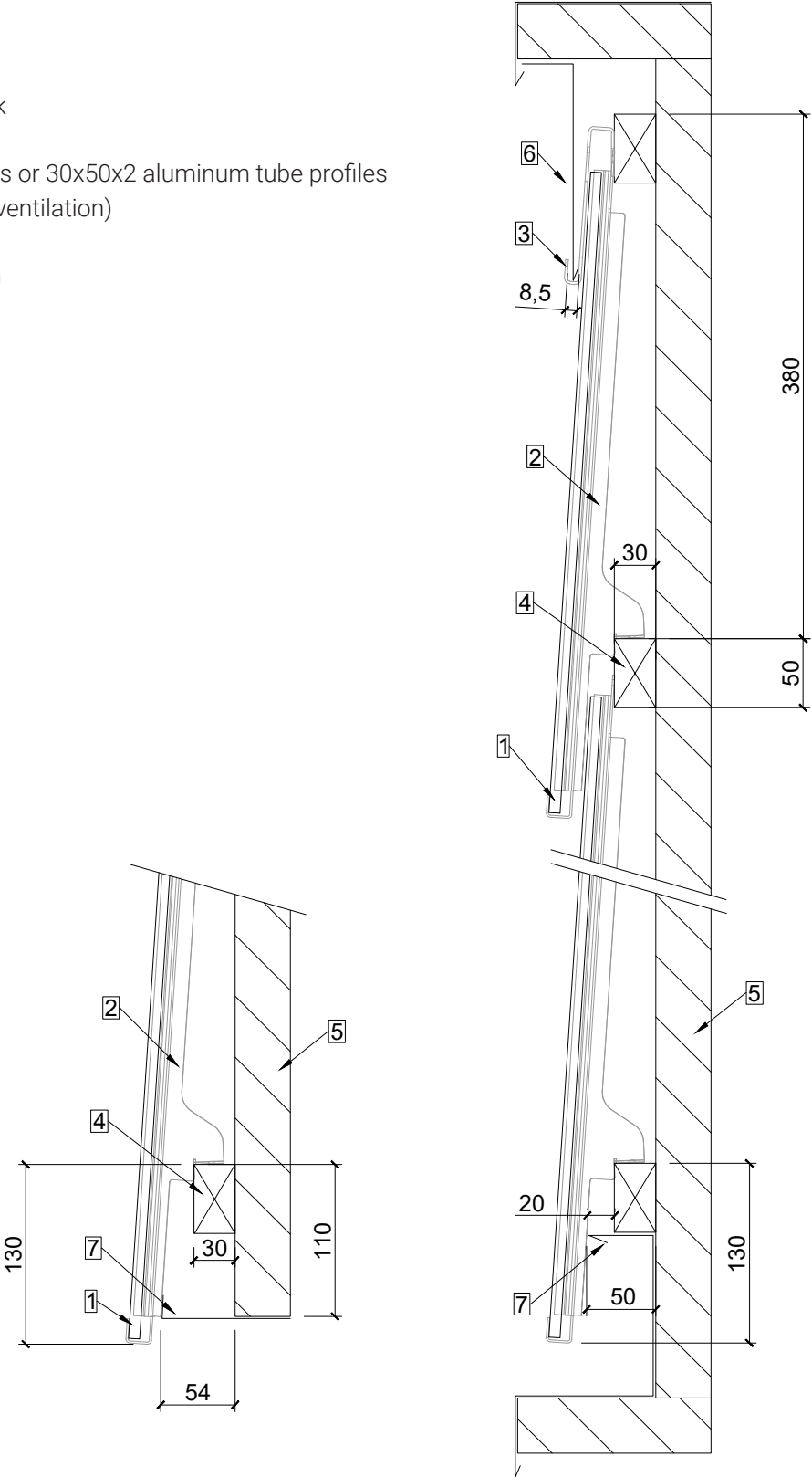


On the facade - vertical sections

| A4 | 1:5 | V24.01 |

MATCH Slate can also be installed as a curtain wall facade.
The layout corresponds to that of the roof.

- 1 MATCH Slate module
- 2 MATCH Slate hook z / u
- 3 MATCH Slate ridge hook
- 4 Horizontal lathing
(e.g. 30x50 wooden slats or 30x50x2 aluminum tube profiles)
- 5 Vertical battening (rear ventilation)
- 6 Ventilation plate top
- 7 Ventilation plate bottom



On the facade - horizontal sections

| A4 | 1:5 | V23.10 |

- 1 MATCH Slate module
- 2 MATCH Slate hook u
- 3 MATCH Slate hook SET location R / L (hook)
- 4 MATCH Slate hook SET location R / L (stopper)
- 5 MATCH adhesive fixation
- 6 Horizontal lathing
(e.g. 30x50 wooden slats or 30x50x2 aluminum tube profiles)
- 7 End plate

